

ANSWER NEXGEN-FYRE™ WOOD BURNING STOVE

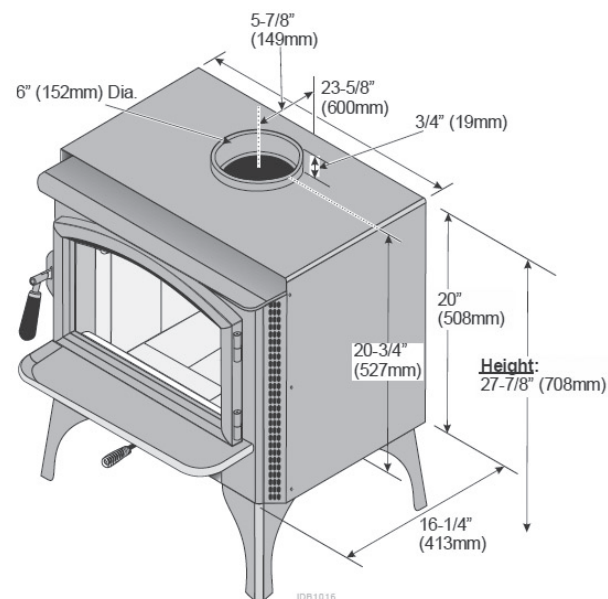


**EPA
CERTIFIED**

SMALL STOVE WITH HEAVY-DUTY CONSTRUCTION

The Answer NexGen-Fyre™ is a beautiful small stove built with heavy-duty, high quality construction. This stove uses a five-sided convection chamber to distribute heat evenly throughout living spaces up to 1,400 square feet. The Answer NexGen-Fyre™ has an elegant door design and huge viewing area, along with a 1.5 cubic foot firebox that can accommodate logs up to 18 inches long. Alcove and mobile home approved.

We dare you to compare! The Answer NexGen-Fyre™ is 2020 EPA-Certified using the new EPA CORD WOOD protocol, rather than the CRIB WOOD protocol that most other manufacturers test to. By testing with CORD WOOD, you get a true real world measurement of how well the appliance will burn and perform in your home.



ANSWER NEXGEN-FYRE™ WOOD BURNING STOVE

NEXGEN-FYRE™

NexGen-Fyre™ takes our non-catalytic wood burning technology to the next level! With NexGen-Fyre™, primary and secondary combustion are harnessed to create the ultimate blended combustion system that produces beautiful, balanced fires with double the BTU range, up to 50% greater heat output, and longer burn times than any other non-catalytic technology.

SPECIFICATIONS

Emissions: 2.0 Grams Per Hour
 Heating Capacity:* Up to 1,400 Square Feet
 EPA Tested BTU Range: 12,129 to 59,527 BTUs Per Hour
 Real World BTUs: *EPA tests to determine BTU output are achieved with a single load of wood at each burn rate. At home, you are likely to add more wood to your insert to maintain your desired comfort level. By the simple process of loading your fireplace insert with additional wood, you could achieve up to a 20% higher heat output than established during EPA testing.*

Maximum Burn Time: Up to 8 Hours
 Efficiency:** 72.4% HHV
 Glass Viewing Area: 135 sq. in (15-1/4" W x 9-1/4" H)

** Heating capacity may vary depending on degree of home insulation, floor plan and ambient temperature zone of the area you live.*

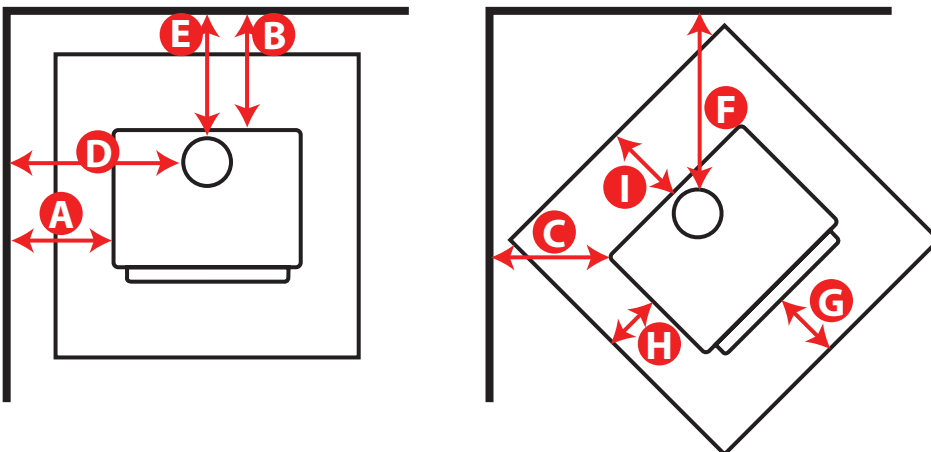
***As tested using B-415.1 using Cord Wood. HHV = High Heat Value*

Firebox Size: 1.5 Cubic Feet
 Maximum Log Size: 18"
 Weight: 300 Pounds
 Construction: 5/16" to 3/16" Steel Plate

OPTIONS

- Choice of Sculptured Steel, Sculptured Pewter or Cast Black Legs
- 160 CFM Convection Fan
- Outside Air Kit
- **GREENSTART™** Igniter

CLEARANCES & HEARTH PROTECTION



	Single Wall Connector	Double Wall Connector
A	18"	13"
B	16-1/2"	9"
C	10"	7-1/2"
D	27"	21-1/2"
E	19-1/2"	11-1/2"
F	19-1/2"	16-1/2"
	USA	CANADA
G	16"	18"
H	6"	8"
I	6"	8"